


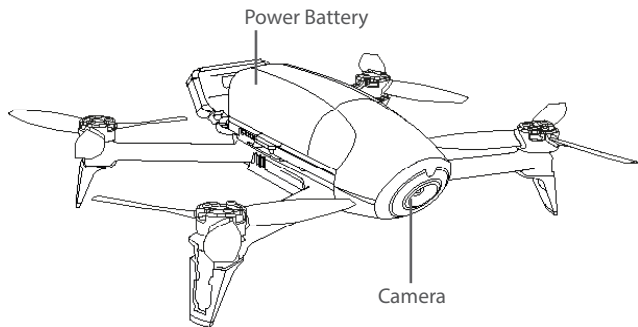
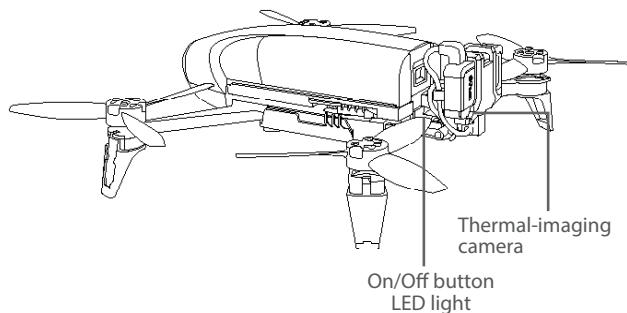
Your Parrot Bebop-Pro Thermal™ contains the following items:

1. A Parrot Bebop-Pro Thermal™ drone;
2. A Parrot Skycontroller 2™ lever. You can fly your Parrot Bebop-Pro thermal with the Parrot Skycontroller 2 by downloading the FreeFlight Thermal™ app to your tablet. This app is free of charge but might contain In-App Purchase offers. It also allows you to calibrate your Parrot Bebop-Pro thermal;
3. One Flir One Pro camera. Fitted to your Parrot Bebop-Pro Thermal;
4. Three power batteries.

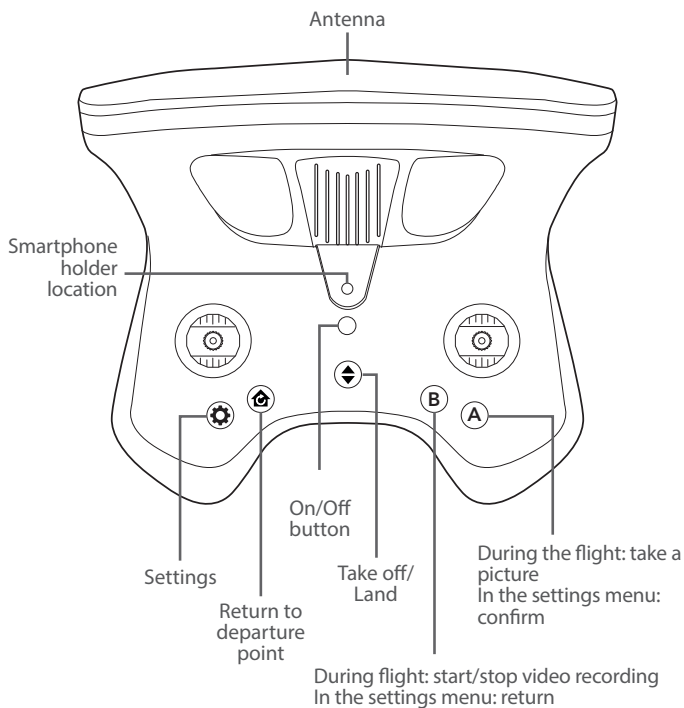
WARNING

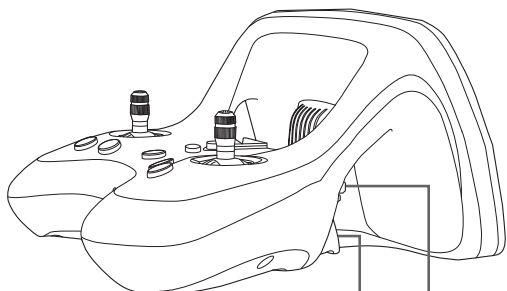
1. The Parrot Bebop-Pro thermal IS NOT A TOY. It should not be used or handled by a child under the age of 14 years.
2. BEFORE USING the Parrot Bebop-Pro thermal:
 - (A) READ CAREFULLY this User Guide and all information and documentation available at www.parrot.com, which may be updated at any time and without prior notice (hereinafter "Parrot Documentation"). SPECIAL ATTENTION shall be given in the paragraphs containing the symbol  ;
 - (B) ENSURE YOU ARE AWARE OF THE APPLICABLE REGULATIONS FOR THE USE OF DRONES and THEIR ACCESSORIES (hereinafter referred to as "Applicable Regulations"); and
 - (C) REMEMBER that the Parrot Bebop-Pro Thermal may expose others and yourself to EQUIPMENT DAMAGE AND/OR PERSONAL INJURY which may result in serious injury or death.
3. Please note that videos and photos that are promoted and advertised by Parrot Drones SAS and its affiliates have been made by and with experienced professionals and pilots. PLEASE ALWAYS REFER TO THE MOST RECENT UPDATES OF THE PARROT DOCUMENTATION IN CASE OF ANY DOUBTS RELATING TO THE USE OF YOUR PARROT BEBOP-PRO THERMAL AND ITS ACCESSORIES.
4. TO THE EXTENT PERMITTED BY APPLICABLE LAW, PARROT DRONES SAS, ITS SUBSIDIARIES, AND THEIR RESPECTIVE DISTRIBUTORS AND RETAILERS SHALL NOT BE LIABLE FOR ANY DAMAGES ARISING FROM OR IN CONNECTION WITH THE NON-COMPLIANCE WITH PARROT DOCUMENTATION OR THE APPLICABLE REGULATIONS BY YOURSELF OR BY ANY PERSON USING YOUR PARROT BEBOP-PRO THERMAL.

PRESENTATION OF THE PARROT BEBOP-PRO THERMAL



PRESENTATION OF THE PARROT SKYCONTROLLER 2

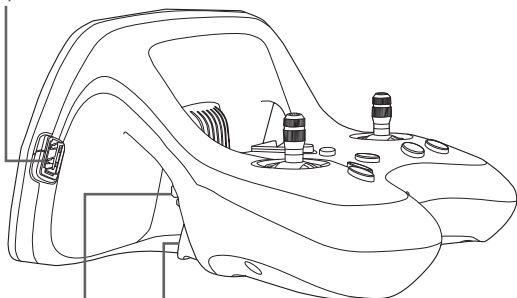




Switch to direct view or thermal view

Set the camera exposure

USB port

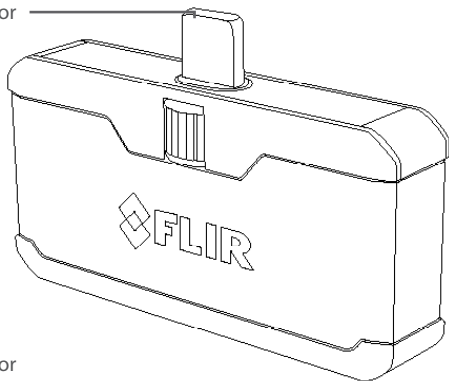


Vertical orientation of the HD camera

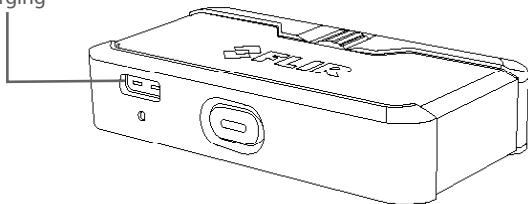
Change the display mode on the application.

PRESENTATION OF THE FLIR ONE PRO CAMERA

Type C USB port for data transfer




Type C USB port for charging



ON/OFF button

⚠ Do not interchange USB type C ports for charging and data transfer.

BEFORE GETTING STARTED

 Before use, refer to the Battery section in the General Information section.

CHARGING THE BATTERY OF THE PARROT BEBOP-PRO THERMAL

1. Select the plug (provided) for your country and insert it into the charger.
2. Connect the supplied cable to the charger.
3. Connect the Power battery to the charger's cable, and then plug the charger into the mains.

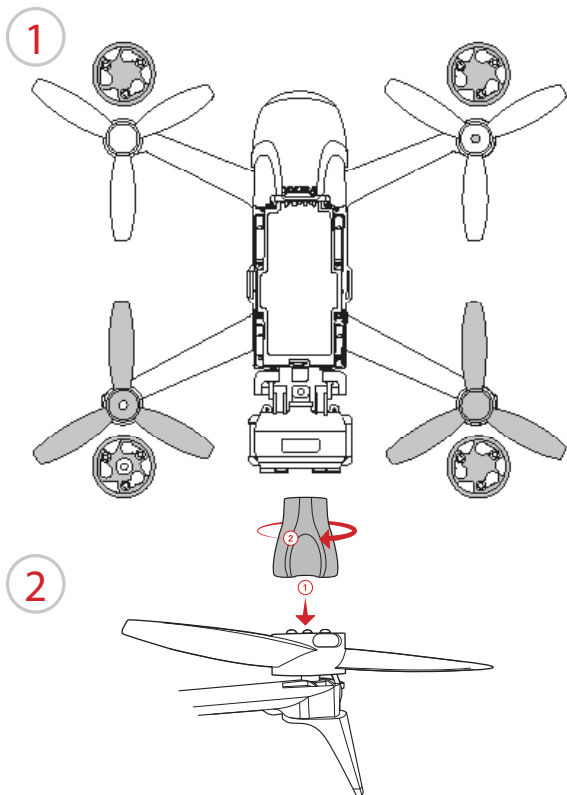
The warning light is red while charging and then turns green when the battery is charged. The battery charge time is approximately 80 minutes. Flying time is approximately 25 minutes.

CHARGING THE BATTERY OF THE PARROT SKYCONTROLLER 2

1. Take the adapter appropriate to your country and fix it on the charger.
2. Connect the charger cable to Parrot Skycontroller 2, then plug the charger into the mains.

CHECKING THE PROPELLERS

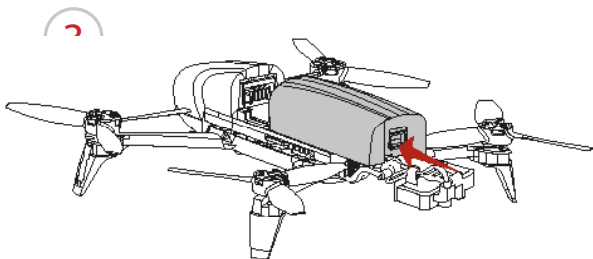
Place and lock the propellers on the engines of the Parrot Bebop-Pro Power as shown in Figure 1 using the supplied propeller mounting tool (Figure 2).



FITTING THE BATTERY

Slide the Parrot Bebop-Pro Thermal battery in until you hear a click. The latch on the back of the battery must be in the lower position (Figure 3).

Check that the Flir One Pro camera is in a horizontal position before handling the battery.



DOWNLOAD THE APP

Log in to Google Play™ and download the FreeFlight Thermal app for free.

PRE-FLIGHT CHECKS

⚠ REGULATIONS

- The Bebop-Pro Thermal must be used according to the civil aviation regulations in your country. The places where it is used must be suitable for manoeuvring in order to ensure the continuous safety of people, animals and property.

- It may not be permitted to use the Bebop-Pro Thermal in certain places in the public domain (e.g. train station, airport, etc.) or on public roads.
- The pilot must keep continuous visual contact with the Bebop Thermal and control its trajectory.
- Before flying your Bebop-Pro Thermal, seek information about restrictions on the use of WiFi frequencies at your flight location. Certain frequencies may be restricted or prohibited. For instance, in some countries the use of the 5 GHz band for your Wi-Fi may be prohibited for outdoor locations.
- Recording and broadcasting the image of property without permission from its owner and or any third party holding intellectual property rights on the property may constitute a violation of the property's image rights and you may be held liable.

FLIGHT CONDITIONS

- Do not operate the Bebop-Pro Thermal at night.
- Check weather conditions. Do not fly in the rain, snow or fog.
- Check weather conditions. Do not fly the Bebop-Pro Thermal in rain, fog, snow or wind over 12 meters per second or 40 km/h.
- Do not fly the drone over water.
- Make sure you have at least 80 meters in diameter of clear space for your Bebop-Pro Thermal to take off and land. Make sure the airfield has no obstacles that may hinder piloting or prevent visual flight.

BEBOP-PRO THERMAL

- Make sure that the Bebop-Pro Thermal has detected the GPS signal.
- Make sure the Bebop-Pro Thermal propellers are properly mounted and secured.
- Make sure the Bebop Thermal battery is charged.
- Make sure you have enough memory for video recording.
- Make sure you have enough memory on your smartphone for video recording.
- Make sure you are in a wide open space.

THERMAL-IMAGING CAMERA

- Make sure that the lenses are clean.
- Make sure the thermal-imaging camera is properly attached to the drone and that it will not come off during flight.
- Make sure that the cables connecting the thermal imaging camera to the Bebop-Pro Thermal are connected correctly.
- Make sure that the thermal imaging camera light comes on at startup.

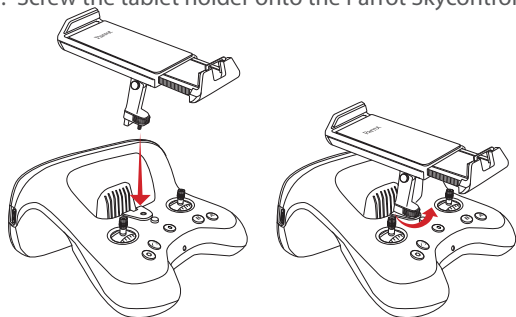
CONNECT TO THE PARROT BEBOP-PRO THERMAL


CONNECT THE PARROT SKYCONTROLLER 2 TO YOUR PARROT BEBOP-PRO THERMAL

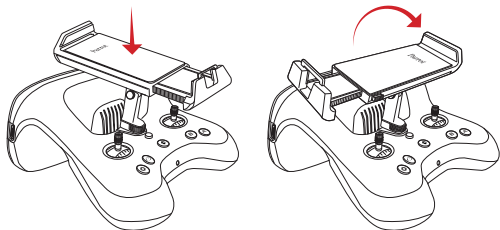
1. Place the Parrot Bebop-Pro Thermal on a flat surface.
2. Turn on your Parrot Bebop-Pro Thermal.
3. Press the ON/OFF button on the Parrot Skycontroller 2 to turn it on.
4. Wait until the warning light is solid green.
> You are connected to the Parrot Bebop-Pro Thermal, you can control it.

USING THE PARROT SKYCONTROLLER 2 WITH AN ANDROID TABLET

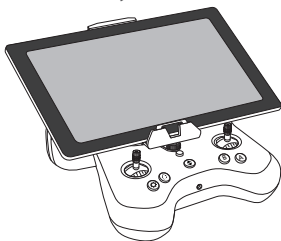
1. Screw the tablet holder onto the Parrot Skycontroller



 You can rotate the holder to fit your tablet's dimensions. To do this, press down on it and rotate it.



2. Press the right button on the holder to fully open it.
3. Position your tablet on the holder.
4. Tighten the holder on your tablet.



5. Turn on Parrot Skycontroller 2 and your drone.
6. Using your tablet's USB cable, connect your tablet to the Parrot Skycontroller 2's USB port.
 - > The FreeFlight Thermal app starts automatically.You are connected.

LAUNCHING FREEFLIGHT THERMAL


To see the compatibility of FreeFlight Thermal on Android tablets, go to: <http://www.parrot.com>

Once the drone is connected, press Fly & Film To access the control interface. On FreeFlight Thermal, the FLIR button switches between the front HD camera view and the thermal imaging view.

> The direction of control is given in relation to the camera used, in thermal imaging view the direction of control of the drone is therefore reversed.

> In flight, the drone adapts to the direction of control according to the chosen view.

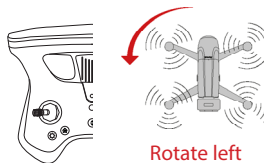
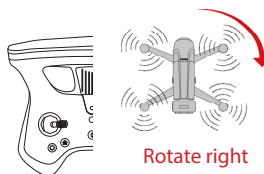
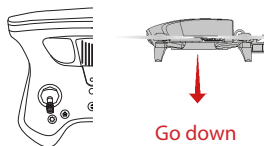
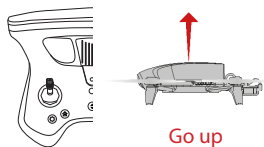
TAKING OFF

Press the  button on your Parrot Skycontroller 2.

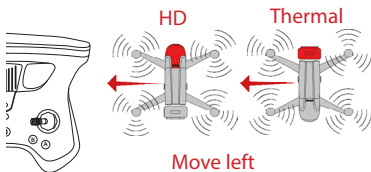
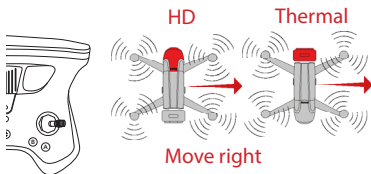
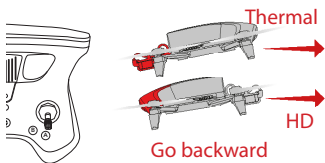
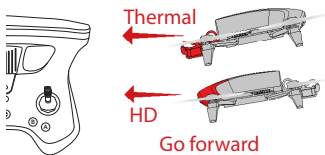
- > The Parrot Bebop-Pro Thermal takes off and stabilises at 1 metre from the ground while commands are pending.

FLYING


LEFT CONTROL



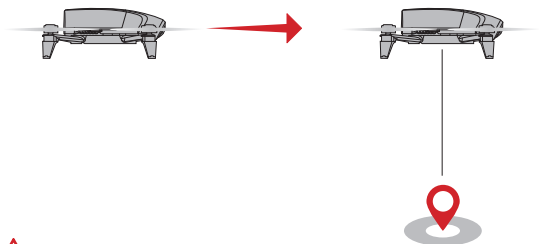
RIGHT CONTROL STICK



RETURN TO STARTING POSITION

To return the Parrot Bebop-Pro Thermal to its starting point, press the button  on the Parrot Skycontroller 2.

- > The Parrot Bebop-Pro thermal returns to its starting position.

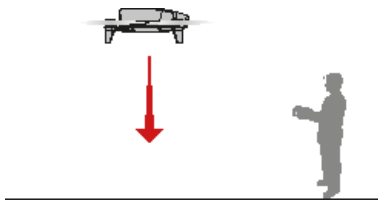


 **Make sure you are in an open environment.**

LAND

Press the  button on the Parrot Skycontroller 2.

- > The Parrot Bebop-Pro Thermal lands.




BEHAVIOUR OF THE LED LIGHT

PARROT SKYCONTROLLER 2

Flashing red light	<p>The Parrot Skycontroller 2 is trying to connect to a drone. > Make sure your drone is on.</p> <p><u>Or</u></p> <p>The battery of the Parrot Skycontroller 2 or your drone is low. > Recharge the battery.</p> <p><u>Or</u></p> <p>The Parrot Skycontroller 2 has detected a problem with the drone. > Go to the Support section on www.parrot.com.</p>
Solid green	<p>The Parrot Skycontroller 2 is connected to the drone. > You can fly the drone.</p>

PARROT BEBOP-PRO THERMAL

Solid blue	You can control the Parrot Bebop-Pro thermal.
Blue flashing slowly	The Parrot Bebop-Pro thermal is starting up.
Blue flashing quickly	<p>An engine error has been detected. To locate the defective engine:</p> <p>In the FreeFlight Pro app, go to Fly & Film >  > Information</p> <p>The screen displays the damaged engine. Check that nothing is blocking the engine.</p>

TECHNICAL SPECIFICATIONS

BEBOP-PRO THERMAL

- Front HD Camera
- Flir One Pro thermal imaging camera
- 32 GB internal memory
- Operating range: 0° - 35°C
- Autonomy of flight: 25 minutes
- Weight: 600g

FLIR ONE PRO

- Thermal resolution: 160 x 120
- Thermal sensitivity: 150 mK
- Focus: 15 cm - Infinity

REMOVABLE BATTERY

- 3350 mAh
- 3 Cell LiPo Battery
- Battery life: 25 minutes
- Rated voltage: 11.1V

GENERAL INFORMATION

ACCESSORIES AND SPARE PARTS

Accessories and spare parts are available from your Parrot retailer or on www.parrot.com.



PRECAUTIONS FOR USE AND MAINTENANCE

PARROT SKYCONTROLLER 2

The Parrot Skycontroller 2 is intended to fly the Bebop Drone, the Parrot Bebop 2 and the Parrot-Pro Thermal and is not suitable for children under 14 years of age.

Check the list of drones that are compatible with the Parrot Skycontroller 2 in the Support section on www.parrot.com.

Only use accessories specified by Parrot Drones SAS.

If sand or dust gets into the Parrot Skycontroller 2, it may be irreparably damaged and no longer function correctly.

Do not expose the Parrot Skycontroller 2 to rain or sun for an extended period.

Do not use this device near liquids.

Risk of ingestion of small objects. The packaging is not part of the product and must be discarded as a safety measure.

PARROT BEBOP-PRO THERMAL

The maximum video recording time is 29 minutes.

The Parrot Bebop-Pro Thermal is not suitable for children under 14 years of age.

The Parrot Bebop-Pro Thermal is a model aircraft designed for recreation and leisure. The pilot must keep continuous visual contact with the Parrot Bebop-Pro Thermal and control its trajectory. The Parrot Bebop-Pro Thermal must be used according to the civil aviation regulations in your country. The places where it is used must be suitable for manoeuvring in order to ensure the continuous safety of people, animals and property. It may not be permitted to use the Parrot Bebop-Pro Thermal in certain places in the public domain (e.g. train station, airport, etc.) or on public roads.

The Parrot Bebop-Pro Thermal's propellers in flight can cause damage to persons or objects. Do not touch the Parrot Bebop-Pro Thermal when in flight. Wait until the propellers stop completely before handling the Parrot Bebop-Pro Thermal.

Only use accessories specified by Parrot Drones SAS.

If sand or dust gets into the Parrot Bebop-Pro Thermal, it may be irreparably damaged and no longer function correctly.

Do not use the Parrot Bebop-Pro Thermal in adverse weather conditions (rain, strong wind or snow) or when visibility is poor (at night).

Keep the Parrot Bebop-Pro Thermal away from high voltage power lines, buildings or any other potentially hazardous areas.

Do not use this device near liquids. Do not place the Parrot Bebop-Pro Thermal on water or on a wet surface as this could cause irreparable damage.

Avoid subjecting the Parrot Bebop-Pro Thermal to significant changes in altitude.

Do not leave the Parrot Bebop-Pro Thermal in the sun.

Risk of ingestion of small objects. The packaging is not part of the product and must be discarded as a safety measure.

FLIR ONE PRO

Keep the device dry. Precipitation, humidity, and all types of liquids or moisture can contain minerals that corrode electronic circuits. If your device gets wet, allow the device to dry.

Do not use or store the device in dusty or dirty areas. Moving parts and electronic components can be damaged.

Do not store the device in cold temperatures. When the device warms to its normal temperature, moisture can form inside the device and damage electronic circuits.

Do not attempt to open the device.

Unauthorized modifications may damage the device and violate regulations governing radio devices.

Do not drop, knock, or shake the device. Rough handling can break internal circuit boards and mechanics.

Use a soft, clean, dry cloth to clean the surface of the device.



WARNING REGARDING PRIVACY AND RESPECT FOR IMAGES OF PROPERTY

Recording and broadcasting an individual's image without their permission may constitute an invasion of privacy and you may be held liable. Ask permission before filming people, especially if you intend to keep your recordings and/or broadcast them. Do not broadcast degrading images which may affect an individual's reputation or dignity.

Recording and broadcasting the image of property without permission from its owner and or any third party holding intellectual property rights on the property may constitute a violation of the property's image rights and you may be held liable. Ask permission from its owner and/or any third party with ownership rights.

WARRANTY

For warranty conditions, please refer to the general terms and conditions of the retailer from which you purchased the Parrot Skycontroller 2, the Parrot Be-bop-Pro Thermal and the Flir One.

HOW TO RECYCLE THIS PRODUCT (PARROT SKYCONTROLLER 2 AND PARROT BEBOP-PRO THERMAL)



This symbol on the product or its documentation indicates that it must not be disposed of with household waste. Uncontrolled waste disposal may harm the environment or human health. Please separate your device from other types of waste to recycle it responsibly. This will help to foster the sustainable re-use of material resources. Please contact your retailer or your local council to seek information about ways to recycle the Parrot Skycontroller 2 and Parrot Bebob-Pro Thermal.

EU DECLARATION OF CONFORMITY (PARROT SKYCONTROLLER 2)

The Parrot Skycontroller 2 can be used in: DE, AT, BE, BG, CY, HR, DK, ES, EE, FI, FR, GR, HU, IR, IT, LV, LT, LU, MT, NL, PL, PT, CZ, RO, GB, SK, SI, SE.

PARROT DRONES, 174 quai de Jemmapes, 75010 Paris, France, declares on its sole responsibility that the product described in this user guide complies with technical standards EN 301489-17, EN300328, EN71-1, EN71-2, EN71-3, EN62115 EN50566: 2013(SAR) in compliance with the provisions of directive RED 2014/53/EU and the general product safety directive 2014/35/EU.
<http://www.parrot.com/ce/?skycontroller-2>

EU DECLARATION OF CONFORMITY (PARROT BEBOP-PRO THERMAL)

This device can be used in: DE, AT, BE, BG, CY, HR, DK, ES, EE, FI, FR, GR, HU, IE, IT, LV, LT, LU, MT, NL, PL, PT, CZ, RO, GB, SK, SI, SE.

The outdoor use restriction in member states of the European Union relates only to the first in the 5GHz band (5150-5250MHz).

PARROT DRONES SAS, 174 quai de Jemmapes, 75010 Paris, France, declares on its sole responsibility that the product described in the present guide complies with technical standards EN 301489-1, EN 301489-3, EN 301489-17, EN 62311, EN300328, EN301893, EN300 440-2, EN71-1, EN71-2, EN62115, EN50581 in compliance with the provisions of R&TTE directive 1999/5/EC, the low voltage directive 2001/95/EU and the ROHS Directive 2011/65/EC.
<http://www.parrot.com/fr/ce/?bebop-pro-thermal>

CANADA DECLARATION OF CONFORMITY (PARROT SKYCONTROLLER 2)

The Parrot Skycontroller 2 complies with the Industry Canada RSS applicable to license-exempt radio apparatus. Operation is permitted subject to the following two conditions: (1) the device must not produce interference, and (2) the user of the device must accept any radio interference encountered, even if the interference is likely to compromise operations.

CANADA DECLARATION OF CONFORMITY (PARROT BEBOP- PRO THERMAL)

This device complies with the Industry Canada RSS applicable to license-exempt radio apparatus. Use is authorised with the following two conditions: (1) the device must not produce interference, and (2) the user of the device must accept any radio interference encountered, even if the interference is likely to compromise operations. This category B digital device is compliant with the NMB-003 standard of Canada.

FCC/IC

To comply with the FCC/IC RF exposure guidelines for transmission equipment, a distance of at least 20cm must be maintained between the product antenna and individuals. To remain compliant you are recommended not to use the product at any distance less than this.

This device complies with part 15 of the Industry Canada RSS applicable to license-exempt radio apparatus.

Operation is permitted subject to the following two conditions:

1. The device must not cause interference;
2. The user of the equipment must accept any interference suffered, even if the interference is likely to affect the operation of the equipment.

This mobile device with an antenna meets the FCC limits for radiation exposure established for an uncontrolled environment. This device meets the limits of the specific absorption rate (SAR) of the FCC. To ensure compliance, observe the following: this transmitter must not be co-used or operated in conjunction with any other antenna or transmitter.

EXPORT COMPLIANCE

The FLIR ONE Pro camera is subject to export control limitations.

This product and technology were exported from the United States in accordance with the Export Administration Regulations. Diversion contrary to U.S. law is prohibited.

This product and technology are for commercial end use only. They may not be used in the design, development, production or use of nuclear, chemical or biological weapons or missiles.

This product and technology may not be sold, transferred or exported to the Crimea Region of Ukraine, Cuba, Iran, North Korea, the Republic of Sudan or Syria or accessed by nationals of these regions or countries without obtaining any necessary U.S. Department of Commerce or U.S. Department of the Treasury authorization.

This product and technology may not be sold, transferred or exported to military end users or for military end-uses (as defined in the Export Administration Regulations) in the People's Republic of China, Russia or Venezuela.

This product and technology may not be sold transferred or exported to or through or involve any party on any U.S. government screening or prohibited list including those as updated from time-to-time on the U.S. Consolidated Screening List (available at http://export.gov/ecr/eg_main_023148.asp).

The applicable regulations may vary from time to time, we advise you to check applicable restrictions on a regular basis by visiting the supplier website <http://www.flir.com/export/> or by contacting directly the supplier at exportquestions@flir.com.



BATTERY (PARROT SKYCONTROLLER 2, PARROT BEBOP-PRO THERMAL AND FLIR ONE PRO)

WARNING: Failure to follow all the instructions may result in serious injury, irreparable damage to the battery and may cause a fire, smoke or explosion.

Always check the battery's condition before charging or using it. Replace the battery if it has been dropped, or in case of odour, overheating, discolouration, deformation or leakage. Never use anything other than the approved LiPo charger to charge the battery. Always use a balancing charger for LiPo cells or a LiPo cell balancer. It is recommended that you do not to use any other

charger than the one provided with the product. Never trickle charge or charge under 3 V per cell. The temperature of the battery should never exceed 60°C (140°F) otherwise the battery may become damaged or ignited. Never charge on a flammable surface, near flammable products or inside a vehicle (preferably place the battery in a non-flammable and non-conductive container). Never leave the battery unattended during the charging process. Never disassemble or modify the housing's wiring, or puncture the cells. Always ensure that the charger output voltage corresponds to the voltage of the battery. Do not short circuit the batteries. Never expose the LiPo battery to moisture or direct sunlight, or store it in a place where temperatures could exceed 60°C (car in the sun, for example). If the battery is not used for a long time, it will gradually discharge. Keep your battery half charged. Always keep it out of reach of children.

For more information about batteries, visit
<http://www.parrot.com/support>

TRADEMARKS

Parrot and the Parrot logo are trademarks of Parrot SA, used under licence. Parrot Bebop, Parrot Disco, Parrot Skycontroller and Parrot Bebop-Pro Thermal, the FreeFlight Pro app and their respective logos are trademarks of Parrot Drones SAS.

Google Play and Nexus are trademarks of Google Inc.

Samsung, Galaxy S and Galaxy Note are registered trademarks of Samsung Electronics.

LG and G4 are trademarks or registered trademarks of LG Electronics, Inc.

HTC One is a commercial trademark of HTC Corporation.

All other trademarks mentioned in this guide are the property of their respective owners.

MANUFACTURER INFORMATION

Parrot Bebop-Pro Thermal and Parrot Skycontroller 2 are manufactured by: Parrot Drones SAS - 174 Quai de Jemmapes - 75010 Paris (France) - Corporate and Trade Register of Paris 808 408 074 - www.parrot.com

The Flir One Pro is manufactured by: FLIR Systems, Inc. - 27700 SW Parkway Ave. - Wilsonville, OR 97070 (United States) - www.flir.com

